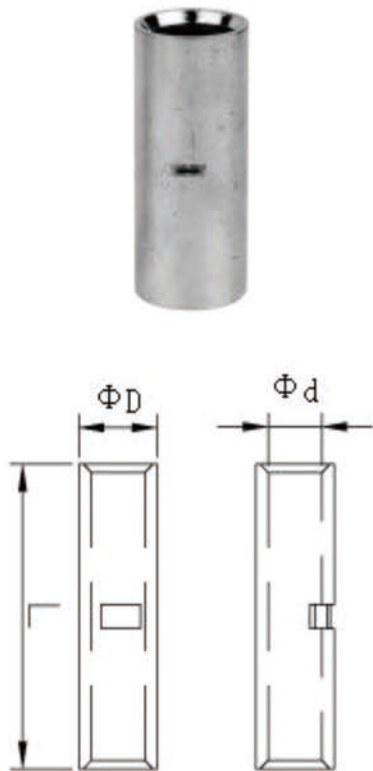


# B BUTT CONNECTORS B中间套管



PART NO 2015-2018	ITEM NO	DIMENSIONS		
		ΦD	Φd	L
LY0017-1001	T-B1.25	3.3	2.1	16.5
LY0017-1002	T-B2	3.7	2.6	14.9
LY0017-1003	T-B3.5	5.0	3.6	16.5
LY0017-1004	T-B5.5	5.5	4.0	16.5
LY0017-1005	T-B8	6.7	5.1	20.2
LY0017-1006	T-B14	8.5	6.4	24.7
LY0017-1007	T-B22	10.8	8.2	27.5
LY0017-1008	T-B38	12.7	10.1	30.2
LY0017-1009	T-B60	14.7	12.0	32.4
LY0017-1010	T-B70	16.8	14.1	33.4
LY0017-1011	T-B80	18.6	15.4	35.6
LY0017-1012	T-B100	21.1	17.6	35.6
LY0017-1013	T-B125	23.1	19.2	39.1
LY0017-1014	T-B150	25.0	20.9	50.0
LY0017-1015	T-B180	28.3	22.9	56.0
LY0017-1016	T-B200/B250	31.1	25.7	58.0
LY0017-1017	T-B325	35.4	29.0	66.2
LY0017-1018	B1.25	3.3	1.9	16.5
LY0017-1019	B2	4.0	2.6	16.5
LY0017-1020	B5.5	5.5	3.7	16.5
LY0017-1021	B8	7.1	5.1	22.5
LY0017-1022	B14	9.0	6.4	27.5
LY0017-1023	B22	11.4	8.2	30.5
LY0017-1024	B38	13.3	10.1	33.5
LY0017-1025	B60	15.4	12.0	36.0
LY0017-1026	B70	17.4	14.0	37.8
LY0017-1027	B80	19.4	15.4	39.5
LY0017-1028	B100	22.0	17.6	39.5
LY0017-1029	B125	24.1	19.2	43.4
LY0017-1030	B150	26.0	20.9	55.5
LY0017-1031	B180	28.6	22.0	58.5
LY0017-1032	B200/B250	32.5	25.7	64.5
LY0017-1033	B325	37.0	29.0	73.5